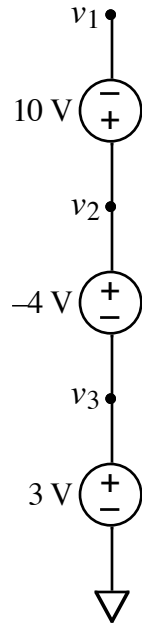
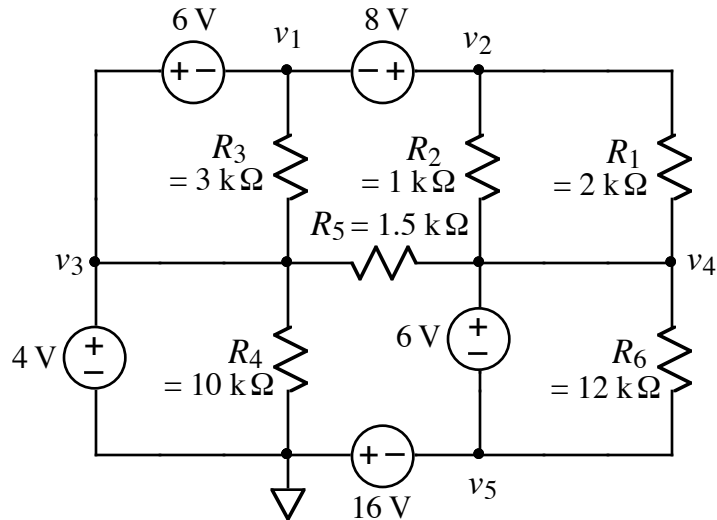


1.



Find the absolute voltages at all the labeled nodes in the above circuit. Hint: start at the bottom and work upwards.

2.

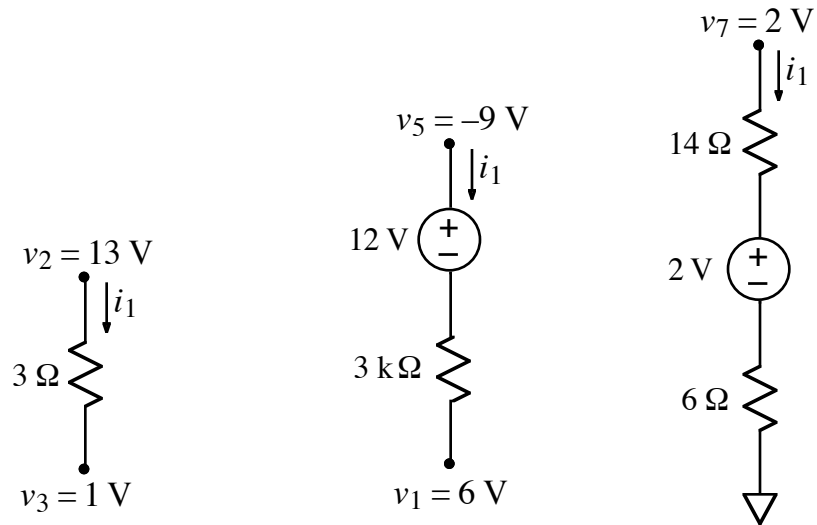


Find the absolute voltages at all the labeled nodes in the above circuit. Hint: this may be done by inspection.

3.

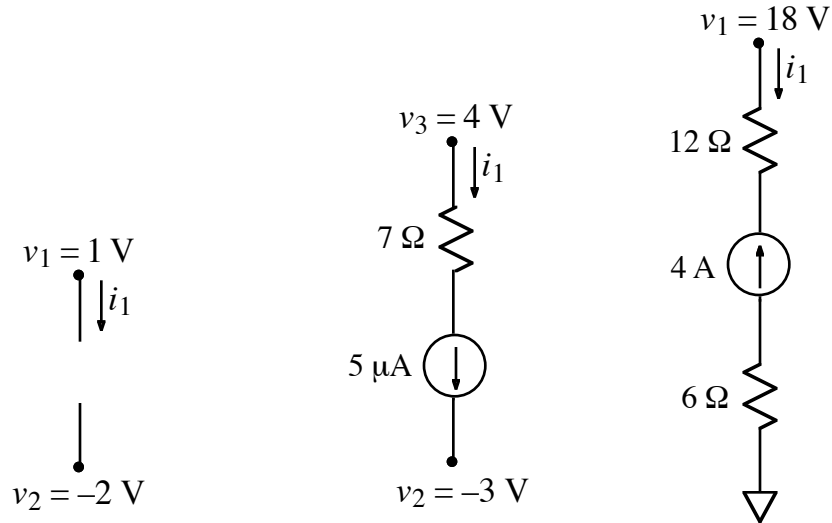
Using Ohm's law and the node voltages found in problem 2, find the currents for all the resistors in problem 2.

4.



Find the value of current, i_1 , for each of the above circuits.

5.



Find the value of current, i_1 , for each of the above circuits.