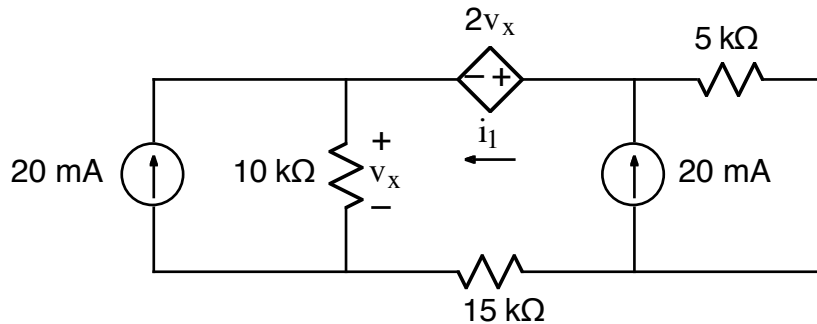


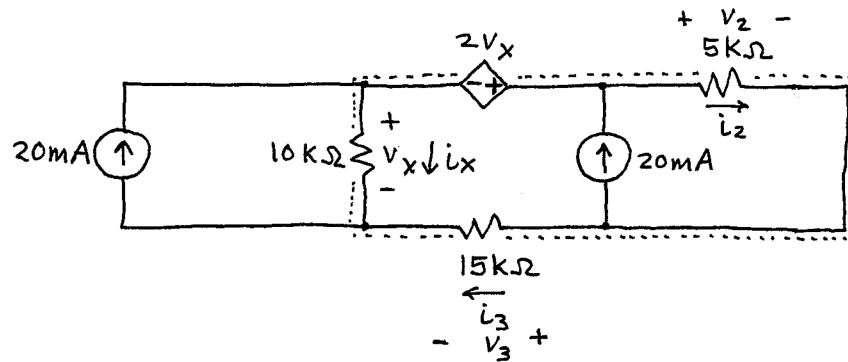
Ex:



Find  $v_x$ ,  $i_1$ , and the power dissipated by the dependent source.

sol'n: We find  $i_1$ , the current for the dependent v-src after we solve the circuit.

First, label  $i$ 's and  $v$ 's for  $R$ 's:



Second, write v-loop eq's for loops not containing current src's. There is only one such loop, indicated by the dotted line:

$$+v_x + 2v_x - v_2 - v_3 = 0V$$

Third, write current-sum eq's for nodes (unless nodes are connected only by v src's). We don't use the nodes on top since they are connected by only the  $2v_x$  source.

For the node on the bottom, left of center, we have

$$+20\text{mA} - i_x - i_3 = 0A \quad (1)$$

For the node on the bottom, right of center, we have

$$i_3 + 20\text{mA} - i_2 = 0A \quad (2)$$

Fourth, we look components in series carrying the same current. Here, we lack any such components.

Fifth, we write Ohm's Law eq'ns for all the R's:

$$V_x = i_x \cdot 10\text{k}\Omega$$

$$V_2 = i_2 \cdot 5\text{k}\Omega$$

$$V_3 = i_3 \cdot 15\text{k}\Omega$$

Now substitute Ohm's Law for V's in V-loop eq'n:

$$i_x \cdot 10\text{k}\Omega + 2 i_x \cdot 10\text{k}\Omega - i_2 \cdot 5\text{k}\Omega - i_3 \cdot 15\text{k}\Omega = 0V \quad (3)$$

Solve one the three eq'ns (1-3) for a current:

$$i_3 = i_2 - 20\text{mA}$$

Substitute this in eq'ns (1) and (2):

$$20 \text{ mA} - i_x - (i_2 - 20 \text{ mA}) = 0 \text{ A}$$

$$i_x(10 \text{ k}\Omega + 20 \text{ k}\Omega) - i_2(5 \text{ k}\Omega) - (i_2 - 20 \text{ mA})15 \text{ k}\Omega = 0 \text{ V}$$

Solving the first of these eq'ns for  $i_2$  gives

$$i_2 = 40 \text{ mA} - i_x$$

Using this in the second of the two eq'ns gives:

$$i_x(30 \text{ k}\Omega) - (40 \text{ mA} - i_x)(5 \text{ k}\Omega + 15 \text{ k}\Omega) = -20 \text{ mA} \cdot 15 \text{ k}\Omega$$

$$\text{or } i_x(30 \text{ k}\Omega + 20 \text{ k}\Omega) = 40 \text{ mA}(20 \text{ k}\Omega) - 20 \text{ mA} \cdot 15 \text{ k}\Omega$$

$$\text{or } i_x(50 \text{ k}\Omega) = 500 \text{ V}$$

$$\text{or } i_x = \frac{500 \text{ V}}{50 \text{ k}\Omega} = 10 \text{ mA}$$

Now we can find  $i_1$  from a current sum at the node on top to the left of center:

$$-20 \text{ mA} + i_x - i_1 = 0 \text{ mA}$$

$$\text{or } i_1 = -20 \text{ mA} + i_x = -20 \text{ mA} + 10 \text{ mA} = -10 \text{ mA}$$

The power dissipated by the dependent source is

$$P = i_1 \cdot 2V_x = -10 \text{ mA} \cdot 2 \cdot \overbrace{10 \text{ mA} \cdot 10 \text{ k}\Omega}^{V_x \text{ from Ohm's Law}}$$

$$\text{or } P = -2 \text{ W}$$