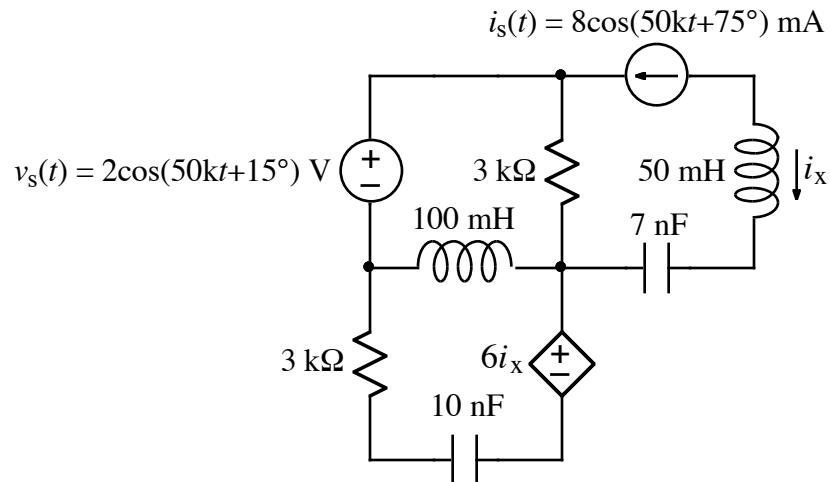
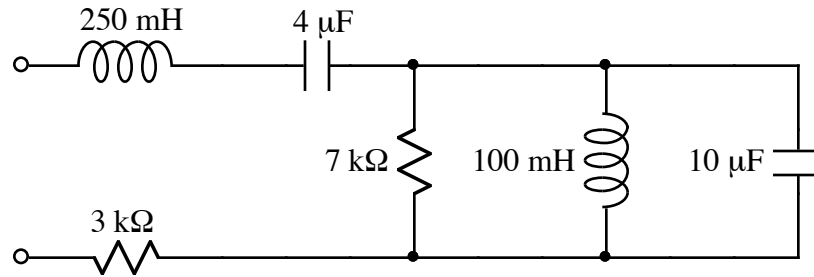


1. Draw the frequency-domain circuit diagram (with numerical values for impedances and phasors [except the dependent source which will be labeled $6\mathbf{I}_x$]) for the following circuit:

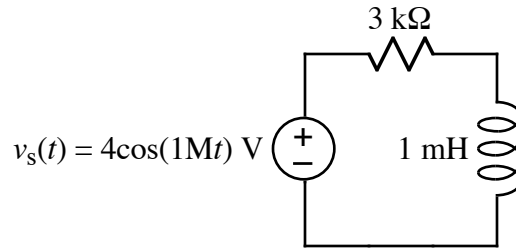


2. Given $\omega = 10\text{k rad/s}$, for each of the following impedances, determine which of the following the impedance is from: a capacitor, an inductor, or a resistor. Also, find the value of that capacitor, inductor, or resistor.
- $1 \text{ k}\Omega$
 - $-j50 \Omega$
 - $j400 \Omega$
 - $-j2 \text{ k}\Omega$
 - $j8 \text{ k}\Omega$
3. Derive a symbolic expression for the impedance of an R , an L , and a C in parallel at frequency ω . Rationalize the expression so the denominator is real.

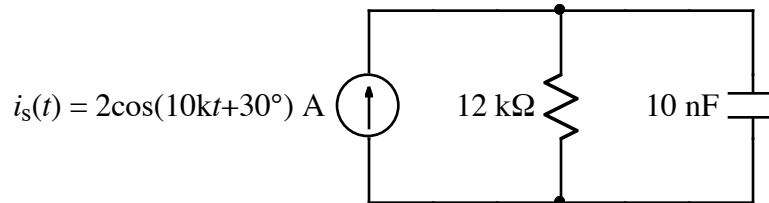
4. Find the total impedance of the circuitry shown below if $\omega = 1000$ rad/s.



- 5.



- a) Find time-domain expressions for the waveforms of the voltages across the R and L in the above circuit.



- b) Find time-domain expressions for the waveforms of the currents through the R and C in the above circuit.