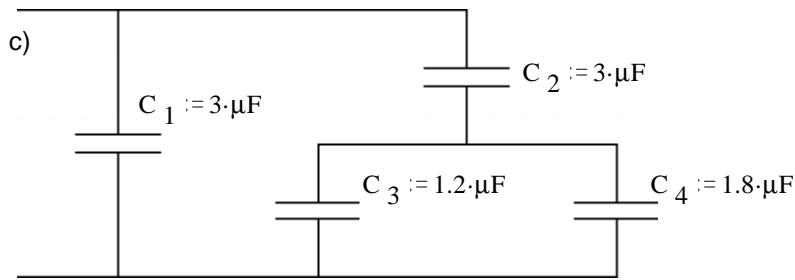
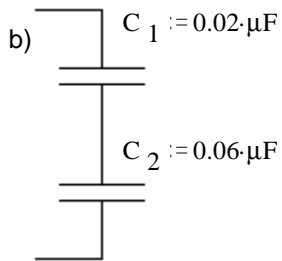
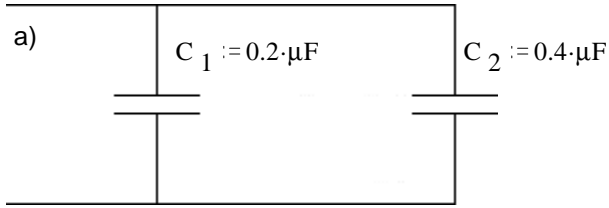
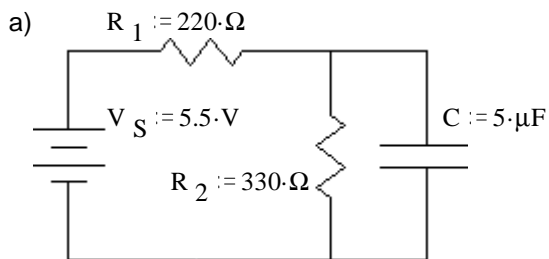


1) Find  $C_{eq}$  in each case

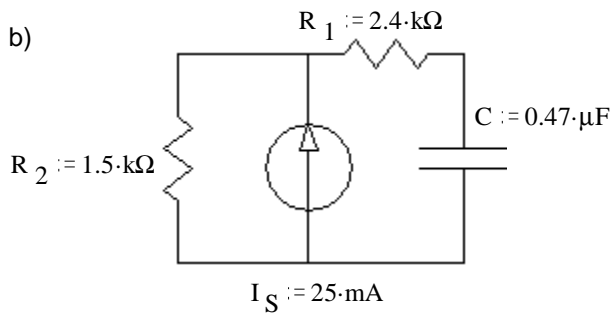


2. Each of the following circuits have been connected as shown for a long time. Find the voltage across each capacitor and the energy stored in each.

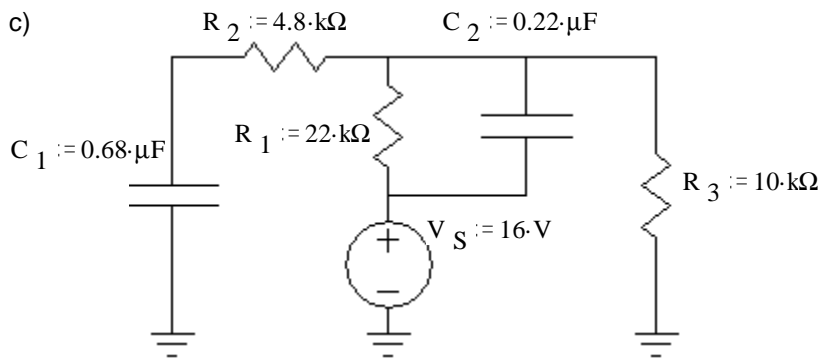


ECE 2210 / 00 homework Cap1 p2

2. b)



c)



**Answers**

1. a)  $0.6 \cdot \mu\text{F}$     b)  $0.015 \cdot \mu\text{F}$     c)  $4.5 \cdot \mu\text{F}$   
 2. a)  $3.3 \text{V}$   $0.027 \cdot \text{mJ}$     b)  $37.5 \cdot \text{V}$   $0.33 \cdot \text{mJ}$   
 c)  $5 \cdot \text{V}$      $8.5 \cdot \mu\text{J}$      $11 \cdot \text{V}$      $13.3 \cdot \mu\text{J}$