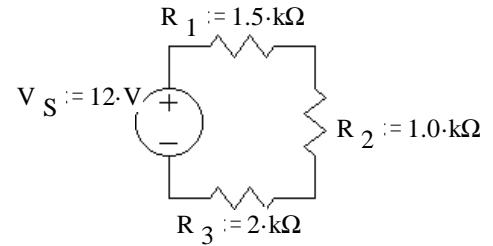
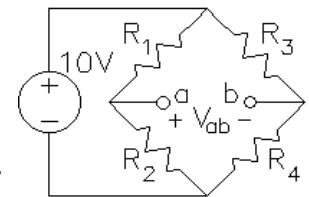


Voltage dividers

2. a) Use the voltage divider concept to find the voltage across each of the resistors in the circuit at right. $V_{R1} = ?$ $V_{R2} = ?$ $V_{R3} = ?$



- b) Confirm that the three resistor voltages add up to the source voltage, ie, confirm Kirchoff's voltage law.
- c) Without recalculating anything, what would happen to all the resistor voltages if the source voltage were doubled? Tripled?
3. The circuit at right is known as a *wheatstone bridge*, or simply a *bridge*. It is a very common measurement circuit, used with strain gauges, thermistors, and other devices whose resistance changes in response to something that you'd like to measure. Let's assume the resistors in this circuit are 100Ω strain gauges. The resistance of these gauges changes slightly when you stretch or compress them. They are glued to a material (often steel) and are used to measure deformations of the material (called strain).



- a) All resistors are 100Ω . Find V_{ab} .

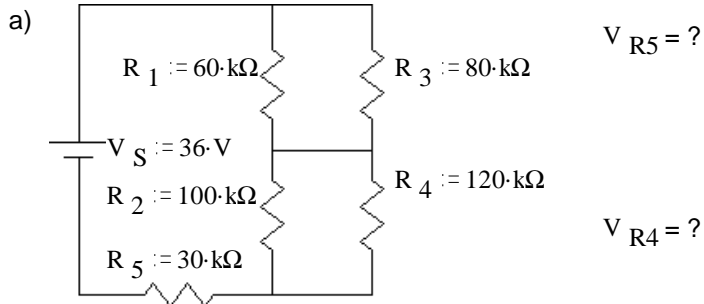
- b) Due to deformation, R_1 and R_4 decrease by 1% and R_2 and R_3 increase by 1%. Find V_{ab} .

3. continued

c) Due to a temperature change, the resistances of all the gages increase by 5%. Find the % change in V_{ab} .

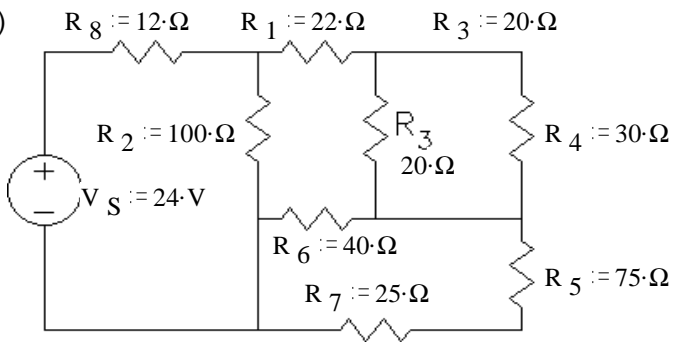
d) Why do you think the bridge circuit is used in this case?

4. Use voltage divider concepts to find the voltages indicated in the following circuits. You may want to use some of your results from problem 1. You may need to use the voltage divider equation more than once.



$V_{R1} = ?$

4. b)



ECE 2210 / 00 homework DC3 p4

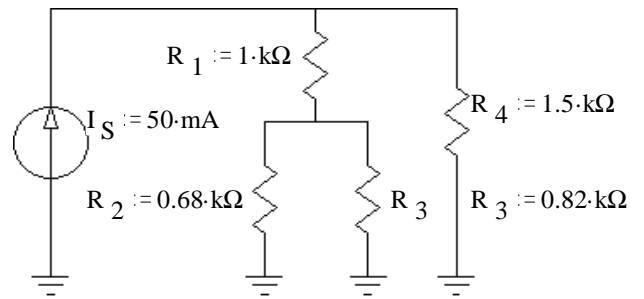
$V_{R8} = ?$ $V_{R2} = ?$ $V_{R1} = ?$

Current Dividers

5. The circuit at right shows a current source hooked to a resistor network. Remember that the grounds are all connected together. You can draw lines between them if it helps you.

a) Use the current divider concept to find the current through each of the resistors in the circuit at right.

$$I_{R1} = ? \quad I_{R2} = ? \quad I_{R3} = ? \quad I_{R4} = ?$$



b) Confirm that $I_{R2} + I_{R3} = I_{R1}$ and that $I_{R1} + I_{R4} = I_S$, ie, confirm Kirchoff's current law twice.

c) Without recalculating anything, what would happen to all the resistor currents if the source current were doubled? Tripled?

6. Refer back to the circuit of problem 4b.

a) Find the equivalent resistance as seen by the source (R_8 + your answer for problem 1b) and use that to find the source current (I_S or I_{R8}).

b) Find these currents by current divider methods.

$$I_{R2} = ? \quad I_{R1} = ? \quad I_{R4} = ?$$

c) Using Ohm's law and the currents you found in this problem, confirm the voltages found in problem 4b.

Power

7. Refer to the circuit of problem 2.

a) How much power is dissipated by each resistor? $P_{R1} = ?$ $P_{R2} = ?$ $P_{R3} = ?$

b) Independently determine the power that the source is contributing to the circuit. $P_S = V_S \cdot I_S = ?$

c) Show that power is conserved (Σ answers to a = answer to b).

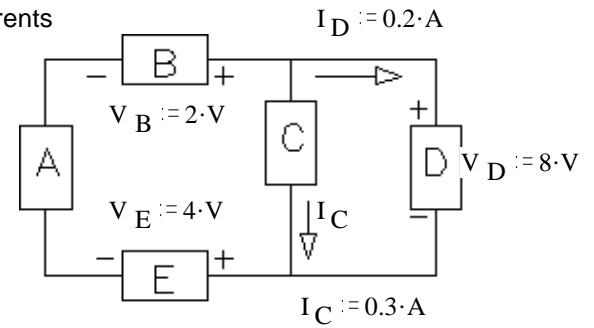
8. Refer to the circuit of problem 5.

a) How much power is dissipated by each resistor? $P_{R1} = ?$ $P_{R2} = ?$ $P_{R3} = ?$ $P_{R4} = ?$

b) Independently determine the power that the source is contributing to the circuit. $P_S = V_S \cdot I_S = ?$

c) Show that power is conserved (Σ answers to a) = answer to b)).

9. The circuit at right has five unknown components labeled A through E.
In order to answer the questions below, first find all the voltages and currents



a) Which of the components are absorbing power from the circuit?

b) Which of the components are contributing power to the circuit?

c) Show that power is conserved.

Answers

1. a) $R_{eq} := 88.8 \cdot k\Omega$ b) $R_{eq} := 38.5 \cdot \Omega$
 2. a) $4 \cdot V$, $2.67 \cdot V$, $5.33 \cdot V$ b) $4 \cdot V + 2.67 \cdot V + 5.33 \cdot V = 12 \cdot V$ c) double, triple
 3. a) $0 \cdot V$ b) $100 \cdot mA$ c) 0% change d) Reading won't be affected by temperature.
 4. a) $9.09 \cdot V$, $16.52 \cdot V$, $10.39 \cdot V$ b) $5.7 \cdot V$, $18.3 \cdot V$, $6.43 \cdot V$
 5. a) $26.12 \cdot mA$, $14.28 \cdot mA$, $11.84 \cdot mA$, $23.88 \cdot mA$ b) both check c) double, triple
 6. a) $5.49 \cdot \Omega$, $475 \cdot mA$ b) $183 \cdot mA$, $292.4 \cdot mA$, $117 \cdot mA$ c) all agree
 7. a) $10.67 \cdot mW$, $7.11 \cdot mW$, $14.22 \cdot mW$ b) $32 \cdot mW$ c) $P_S = P_{R1} + P_{R2} + P_{R3}$
 8. a) $0.682 \cdot W$, $0.139 \cdot W$, $0.115 \cdot W$, $0.856 \cdot W$ b) $0.1791 \cdot W$ c) $P_{R1} + P_{R2} + P_{R3} + P_{R4} = P_S$
 9. a) C, D, E b) A, B c) $6 \cdot W = 6 \cdot W$