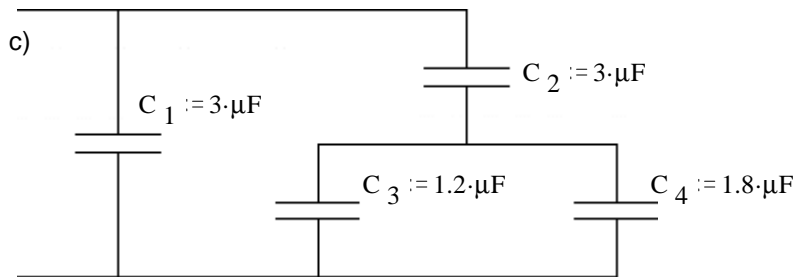
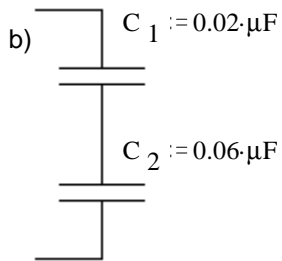
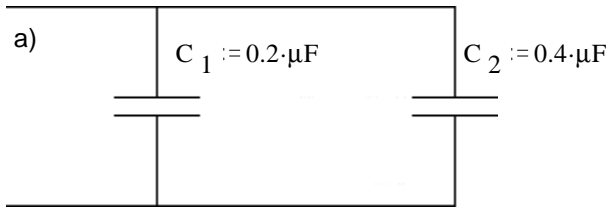
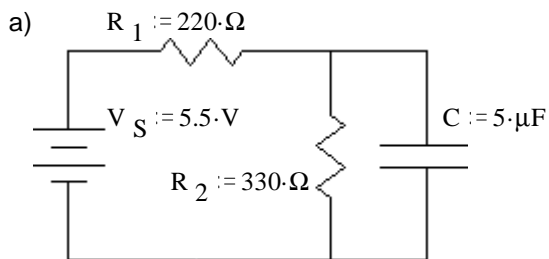


1) Find C_{eq} in each case

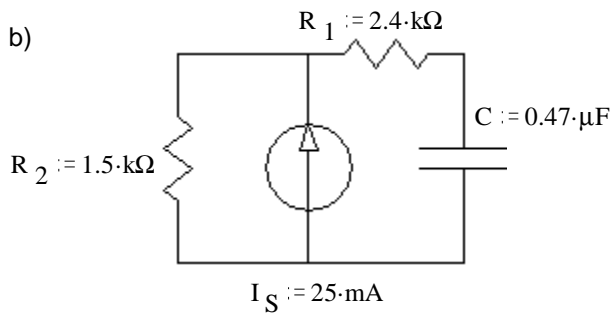


2. Each of the following circuits have been connected as shown for a long time. Find the voltage across each capacitor and the energy stored in each.

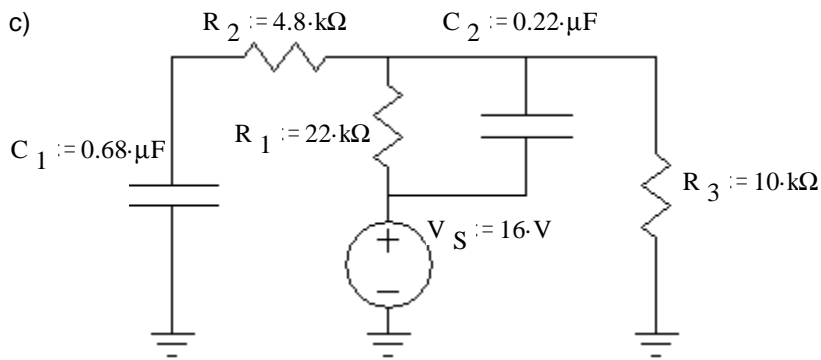


ECE 2210 / 00 homework Cap1 p2

2. b)



c)



Answers

1. a) $0.6 \cdot \mu\text{F}$ b) $0.015 \cdot \mu\text{F}$ c) $4.5 \cdot \mu\text{F}$
 2. a) 3.3V $0.027 \cdot \text{mJ}$ b) $37.5 \cdot \text{V}$ $0.33 \cdot \text{mJ}$
 c) $5 \cdot \text{V}$ $8.5 \cdot \mu\text{J}$ $11 \cdot \text{V}$ $13.3 \cdot \mu\text{J}$