

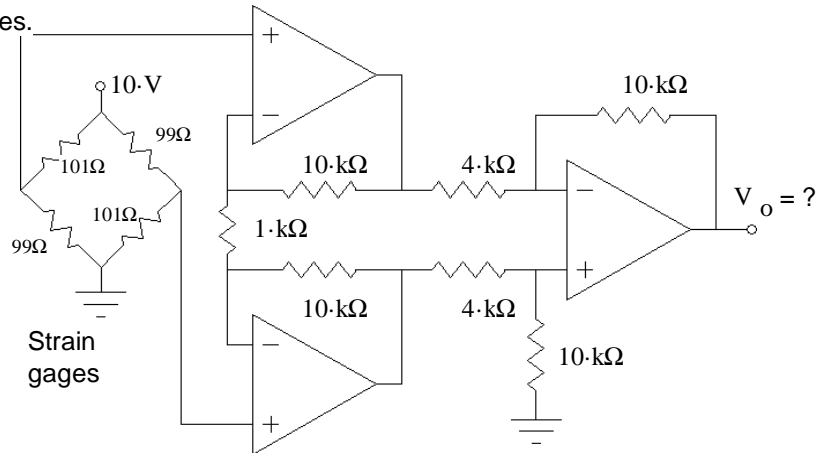
ECE 2210 homework DD Go to ME Design day in the Union, , Due following day
 Write 2 to 4 paragraphs (1/3 - 1 page) about what you see there, especially mention the electrical circuits and electronics.

Name: _____

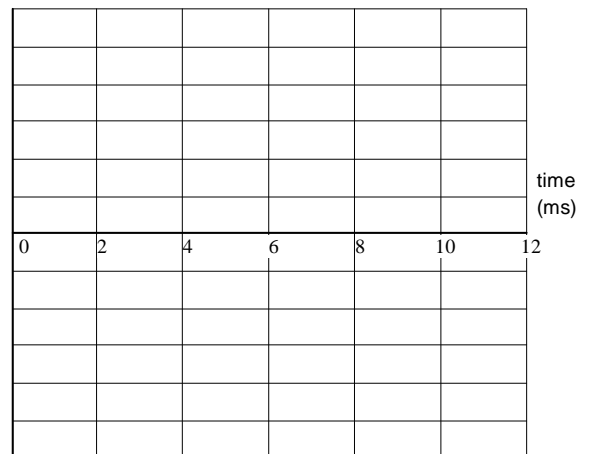
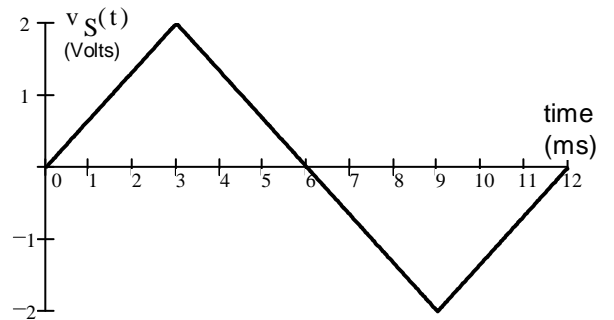
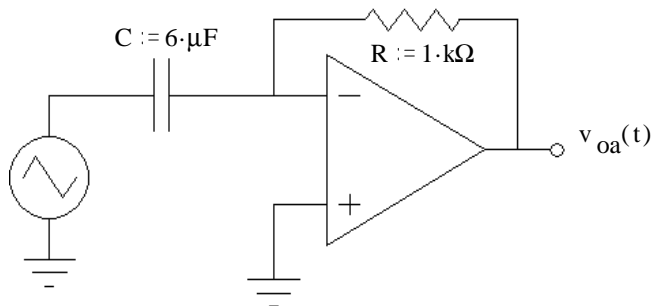
ECE 2210 Homework OA2 Due:

a

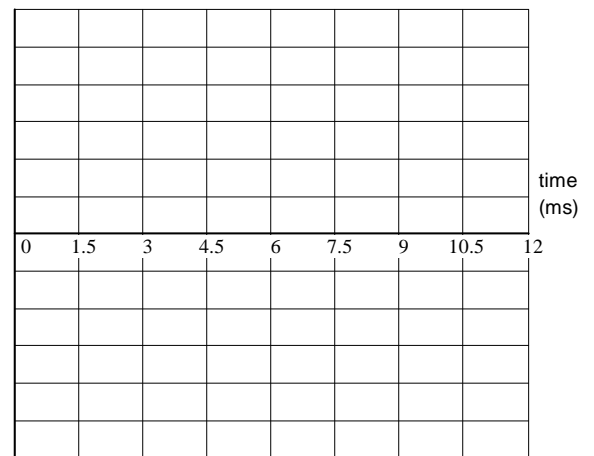
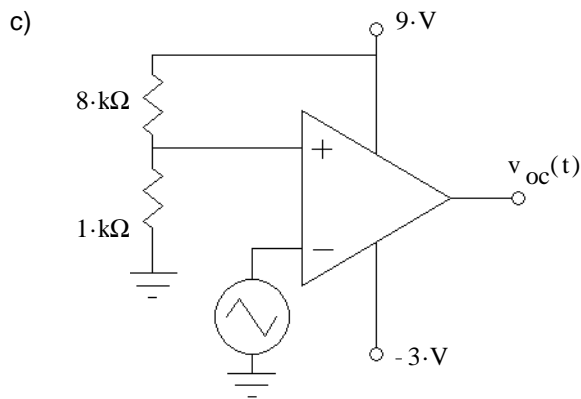
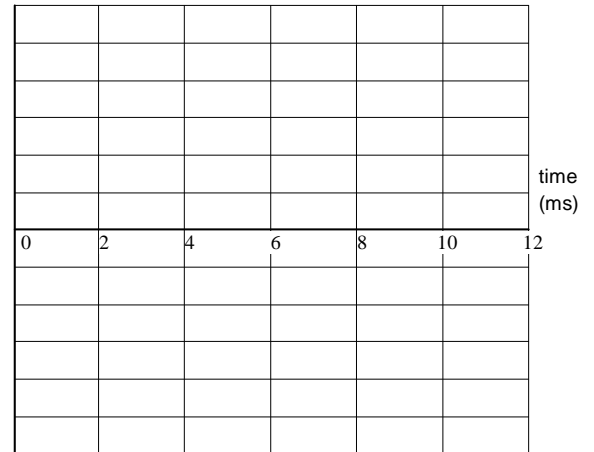
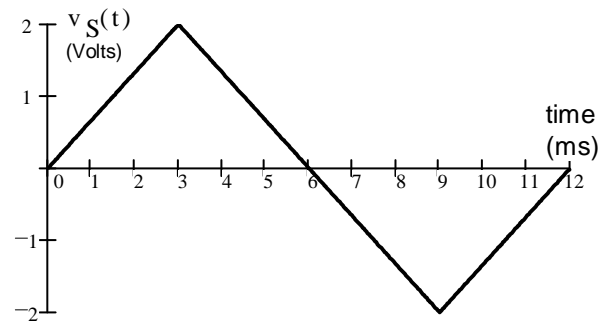
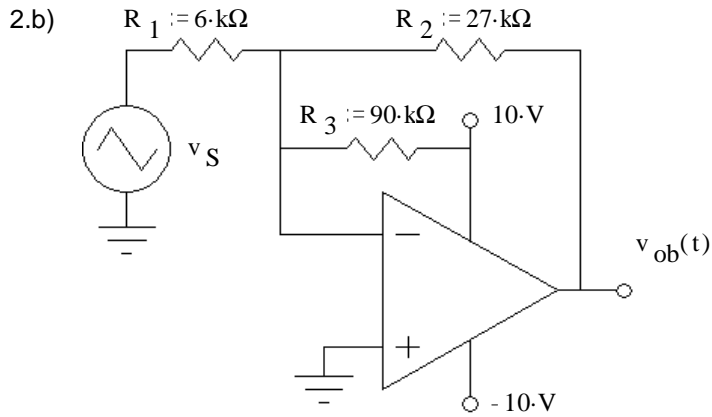
1. The op-amps are powered by ± 12 V power supplies.
 What output do you expect?
 SHOW WORK, possibly on another page.



2. The same input signal (at right) is connected to several op-amp circuits. Sketch the output waveforms for the circuits shown.
 a) Op amp powered by ± 12 V power supplies.



ECE 2210 Homework OA2, p.2



Answers

1. 5.25-V

2. a) (0ms, -4V) to (3ms, -4V) to (3ms, 4V) to (9ms, 4V) to (9ms, -4V) to (12ms, -4V)
 b) (0ms, -3V) to (2ms, -9V) to (4ms, -9V) to (9ms, 6V) to (12ms, -3V)
 c) (0ms, 8V) to (1.5ms, 8V) to (1.5ms, -2V) to (4.5ms, -2V) to (4.5ms, 8V) to (12ms, 8V)