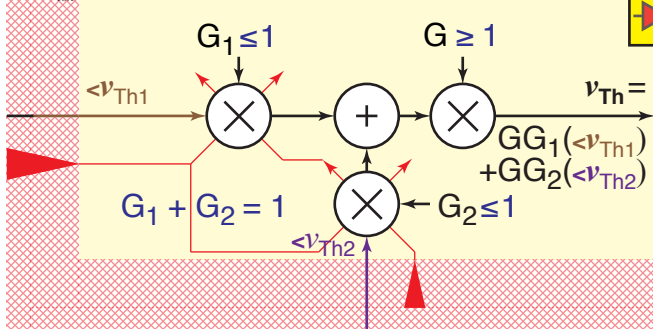




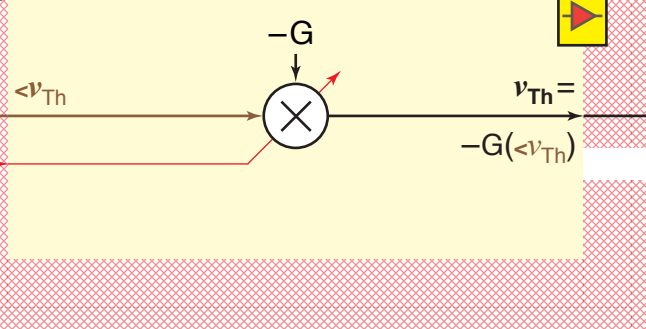
### Op-Amp Non-Inverting Summer

5



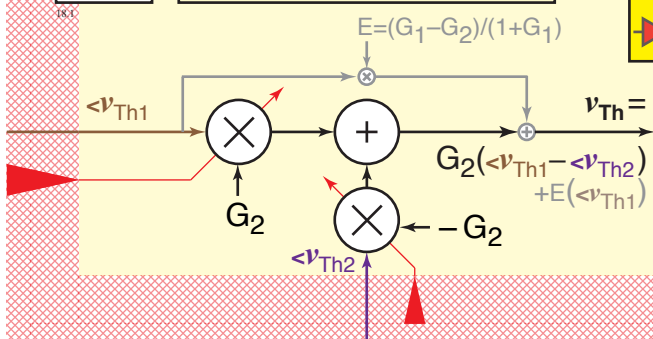
### Op-Amp Inverting Amp

1



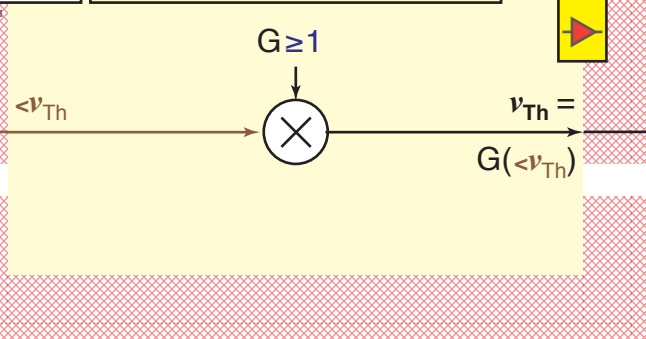
### Op-Amp Differential Amp

6



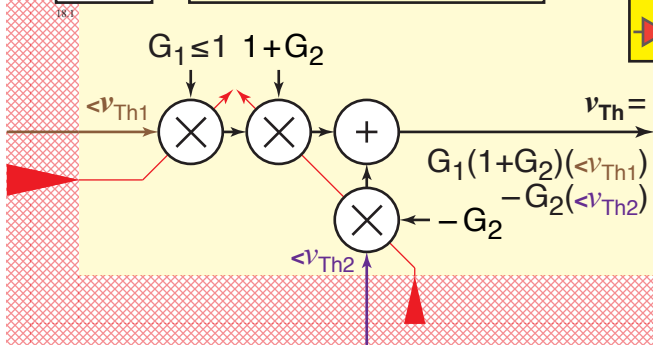
### Op-Amp Non-Inverting Amp

2



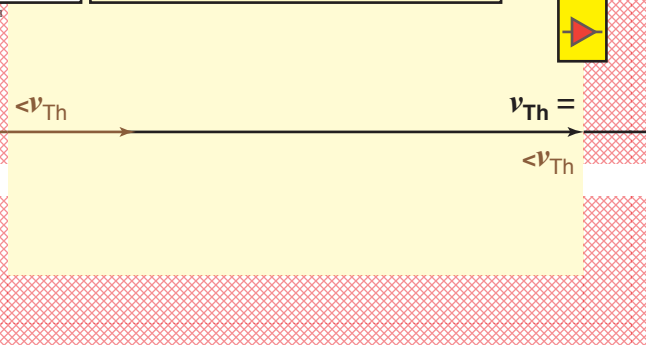
### Op-Amp Difference Amp

7



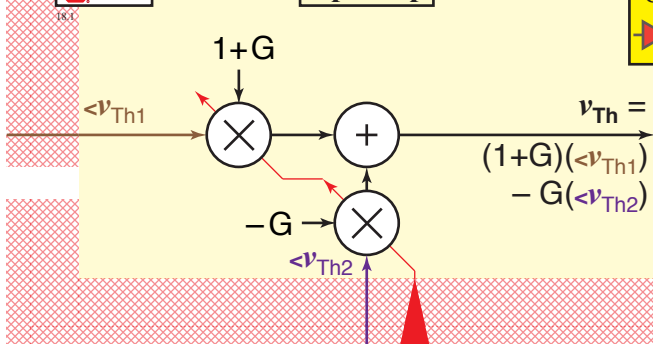
### Op-Amp Buffer (V-Follower)

3



### Op-Amp

8



### Op-Amp (Inv) Summing Amp

4

