

Digital Circuits

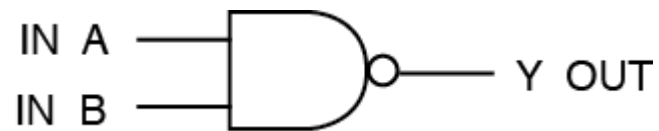
Neil E Cotter

ECE DEPT. UNIVERSITY OF UTAH



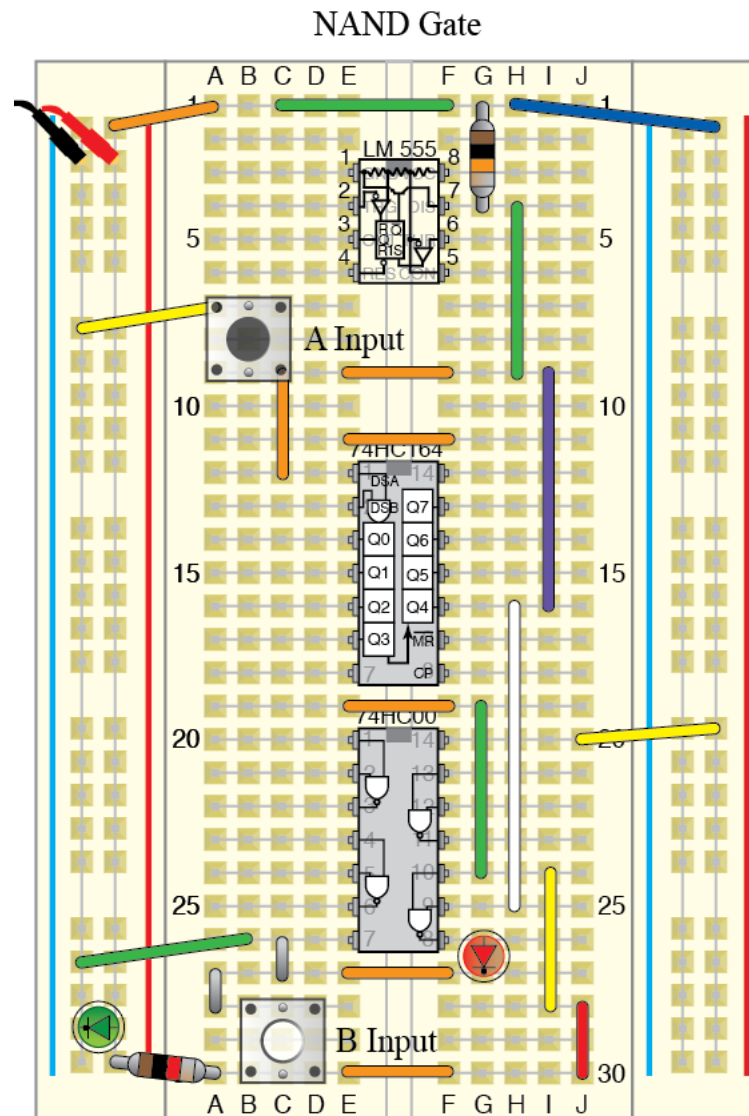
Digital Electronics

NAND



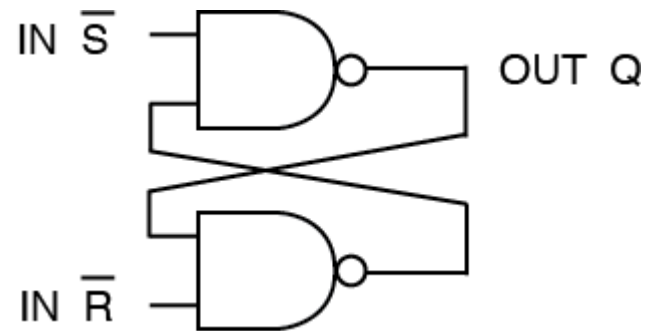
IN A	IN B	OUT
0	0	1
0	1	1
1	0	1
1	1	0

Digital Electronics: NAND Gate



Digital Electronics

Flip-Flop



R	S	OUT
0	1	1
1	0	0
0	0	Last Out

Digital Electronics: Flip Flop

