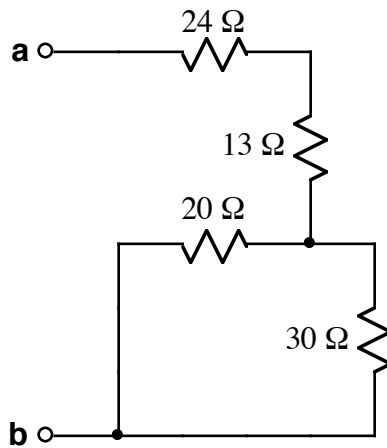


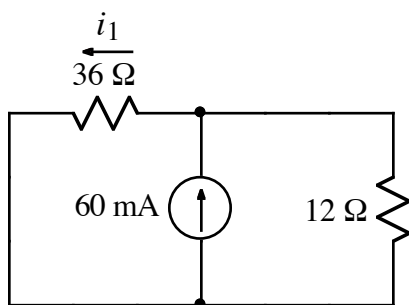


1.

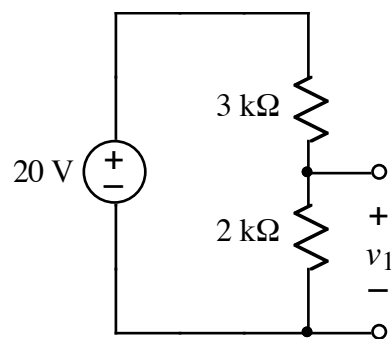


Find the value of total resistance between terminals **a** and **b**.

2.

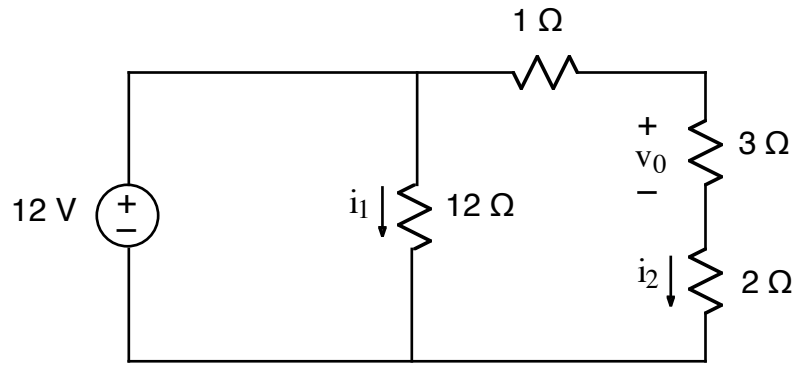


a) Use the current-divider formula to calculate  $i_1$ .



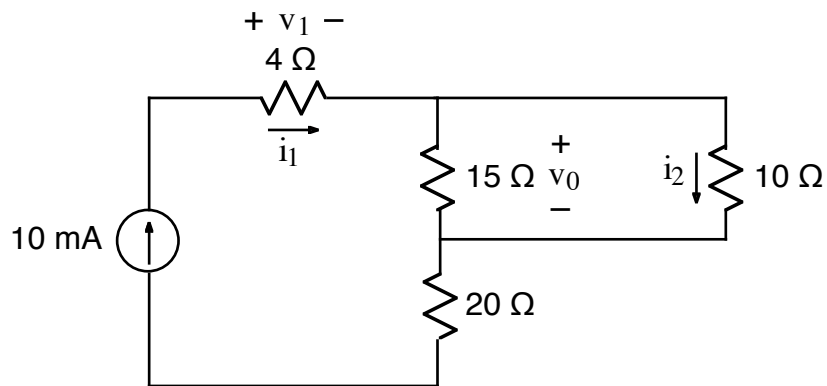
b) Use the voltage-divider formula to calculate  $v_1$ .

3.



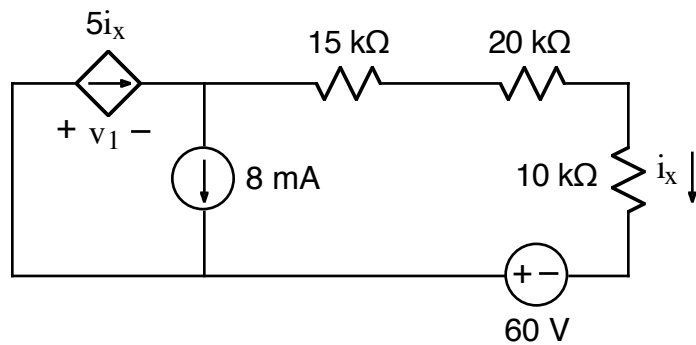
- Calculate  $i_1$ ,  $i_2$ , and  $v_0$ .
- Find the power dissipated for every component, including the voltage source.

4.



Calculate  $i_1$ ,  $i_2$ , and  $v_0$ .

5.



Find  $i_x$ ,  $v_1$ , and the power dissipated by the dependent source.