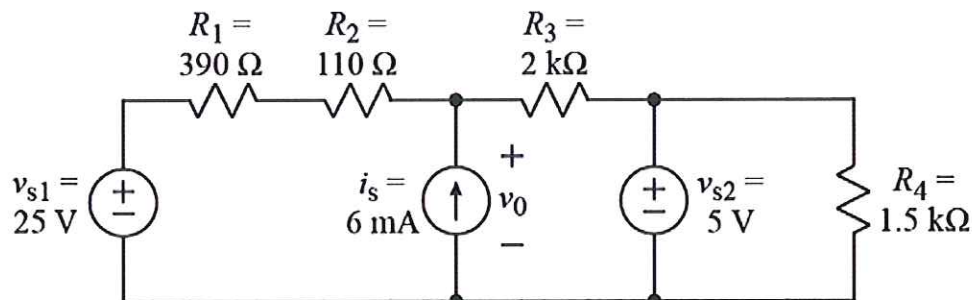


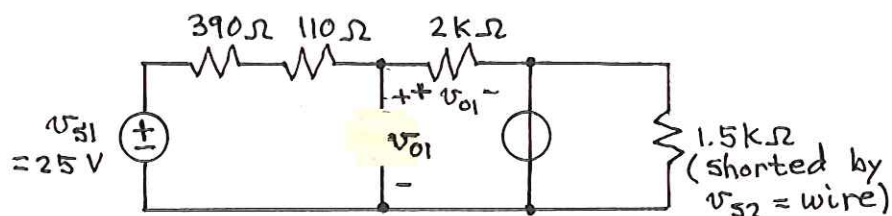
Ex:



Using superposition, find the numerical value for v_0 . Note: you must show enough work to demonstrate your understanding of superposition.

sol'n: We turn on one source at a time.
 v -src off = wire (for 0V)
 i -src off = open (for 0A)

case I: v_{s1} on, v_{s2} off, i_s off



Inspection reveals that v_{01} is across the $2k\Omega$. The circuit is a v -divider.

$$v_{01} = v_{s1} \cdot \frac{2k\Omega}{390\Omega + 110\Omega + 2k\Omega} = 25V \cdot \frac{2k\Omega}{2.5k\Omega}$$

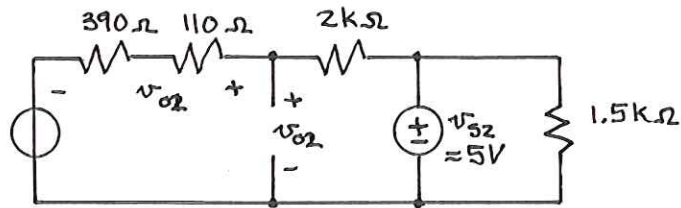
or

$$v_{01} = 25V \cdot \frac{4}{5}$$

or

$$v_{01} = 20V$$

case II: v_{s1} off, v_{s2} on, i_s off



The $1.5\text{k}\Omega$ resistor on the right is across v_{s2} and plays no role in v_{o2} .

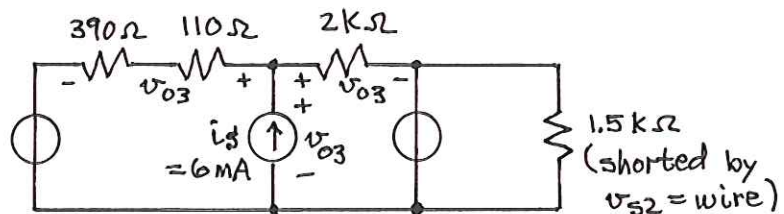
Inspection reveals that v_{o2} is across the resistors on the top left. The circuit is a v -divider.

$$v_{o2} = v_{s2} \cdot \frac{390\Omega + 110\Omega}{390\Omega + 110\Omega + 2\text{k}\Omega} = 5\text{V} \cdot \frac{500\Omega}{2.5\text{k}\Omega}$$

or

$$v_{o2} = 1\text{V}$$

case III: v_{s1} off, v_{s2} off, i_s on



The $390\Omega + 110\Omega$ on the left and $2\text{k}\Omega$ on the right are in parallel with v_{o3} across them. The parallel resistance is driven by i_s .

$$v_{o3} = i_s \cdot (390\Omega + 110\Omega) \parallel 2\text{k}\Omega = 6\text{mA} \cdot 400\Omega$$

or

$$v_{o3} = 2.4\text{V}$$

Sum the v_o 's: $v_o = v_{o1} + v_{o2} + v_{o3} = 20\text{V} + 1\text{V} + 2.4\text{V} = 23.4\text{V}$